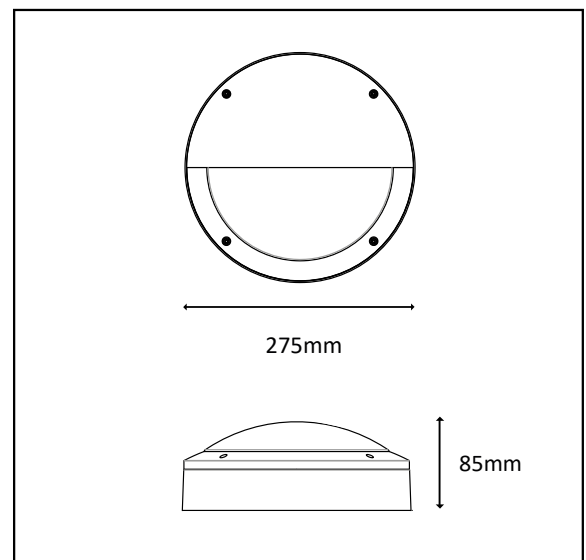




Specification

| | |
|------------------------|--------------------|
| System Power | 18W |
| Driver | High PF Electronic |
| Size | 275 x 85mm |
| Colour Rendering Index | >80 |
| Lumen Output | 1400Lm |
| LED Efficacy | 77 Lm/cW |
| Dimmable / Sensor | Contact Office |
| Warranty | 3 Years |
| IP Rating | IP65 |
| IK Rating | IK10 |
| Colour Temperature | 4000K |
| Housing Material | Die-cast Aluminium |
| Diffuser Material | Polycarbonate |
| Input Voltage | AC200-240V |

TECHNICAL DRAWINGS



Product Codes

WAT/18/DC/EYE/BK/4K/STD
WAT/18/DC/EYE/BK/4K/EM
WAT/18/DC/EYE/WH/4K/STD
WAT/18/DC/EYE/WH/4K/EM
WAT/18/DC/EYE/GRY/4K/STD
WAT/18/DC/EYE/GRY/4K/EM

Description

Eyelid cover; mains only; black body
Eyelid cover; maintained 3hr emergency; black body
Eyelid cover; mains only; white body
Eyelid cover; maintained 3hr emergency; white body
Eyelid cover; mains only; grey body
Eyelid cover; maintained 3hr emergency; grey body

