

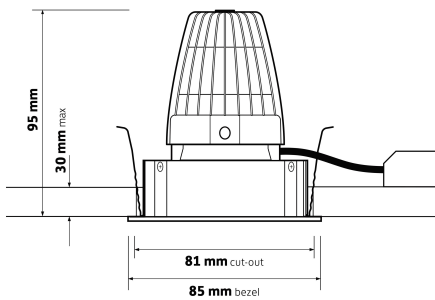
Model Ref.	Power (tcW)	Luminaire Output (lm)	Colour	Dimension	Cut Out	IP Rating
PAR/SQ/ADJ/8W/27K	8	600	927	ø 85mm x 85mm	ø 81mm	IP44
PAR/SQ/ADJ/6.5W/3K	6.5	675	830	ø 85mm x 85mm	ø 81mm	IP44
PAR/SQ/ADJ/6.5W/4K	6.5	700	840	ø 85mm x 85mm	ø 81mm	IP44
PAR/SQ/ADJ/10W/27K	10	850	927	ø 85mm x 85mm	ø 81mm	IP44
PAR/SQ/ADJ/8W/3K	8	850	830	ø 85mm x 85mm	ø 81mm	IP44
PAR/SQ/ADJ/8W/4K	8	900	840	ø 85mm x 85mm	ø 81mm	IP44

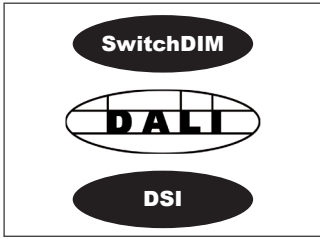
Key Features

- Low glare architectural downlight
- Discreet minimal bezel, die-cast from pure aluminium
- Matt black darklight baffle, developed to minimise glare
- Fitted with an integral IP44 protective lens as standard
- Precision moulded 40° reflector
- Tridonic LED engine and driver system
- Excellent thermally optimised 24 super-fin die-cast heatsink
- Short circuit, overload and temperature protection

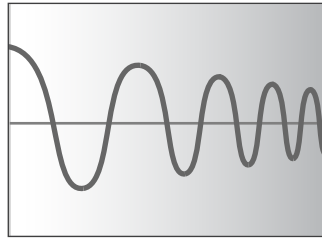
Please select from the options below

Dali	/DA
Switch Dim / Mains	/SD
DSI	/DSI
Emergency	/EM
Dali Emergency	/DA/EM
DALI Emergency Empro	/DA/EMPRO
Narrow beam reflector 20°	/NB
Plaster-in bezel version	/PI
Ra90 High colour rendering	/9
Casambi wireless network (inc dim) /BTC	/BTC
White Bezel	/WBZ
Black Bezel	/BBZ
White Baffle	/WBF
Black Baffle	/BBF





/ECO
SwitchDIM, DALI or DSI



/MDIM
Mains dimming



/NB
20° Narrow beam reflector



/EM
EM conversion



/EMD
DALI and self test EM conversion



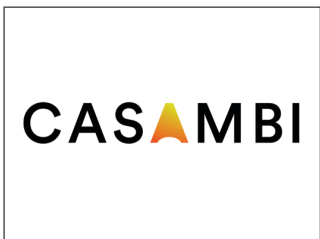
/EMi
EM conversion with integral indicator



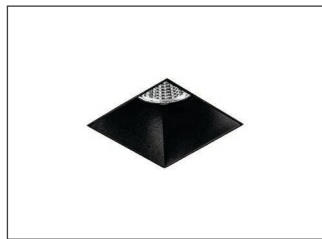
/EMDi
DALI/self test EM conversion with integral indicator



/R9
Ra90 High colour rendering



/BTC
Casambi wireless network (inc dim)



/PI
Plaster-in bezel version (cut-out 81 x 81 mm)



/TLT
Tiltable



/WSB
White softlight baffle



Product variations
Other colours and specifications available on request



Downlight available



Round available

